

Mini 3 IN 1 CO2 Monitor

CO2 RH Temp.

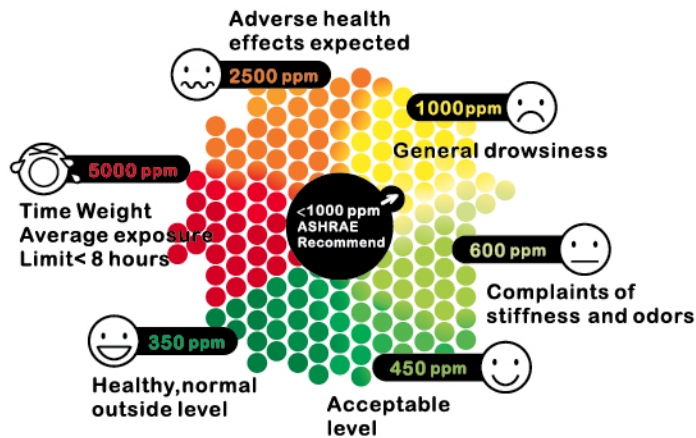


ZGW01



CO2 Status	Green	Yellow	Red
Normal IAQ	<800 ppm	800~1,400 ppm	>1,400 ppm
Wide Range	<800 ppm	800~3,000 ppm	>3,000 ppm

- Dual beam NDIR technology is used to measure CO2 concentration up to 9,999 ppm.
- Automatic background calibration
- Large LCD clearly displays the CO2 concentration, Temp.(option) and RH(option).
- 3-Color LED light (Green / Yellow / Red) gradually changes with CO2 concentration.
- Two indoor air quality settings including "Normal IAQ" and "Wide Range"

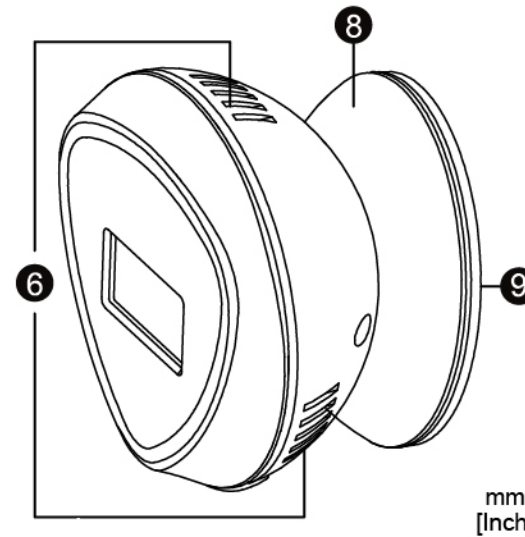
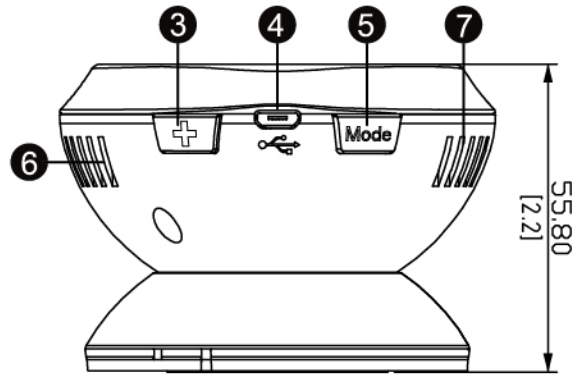
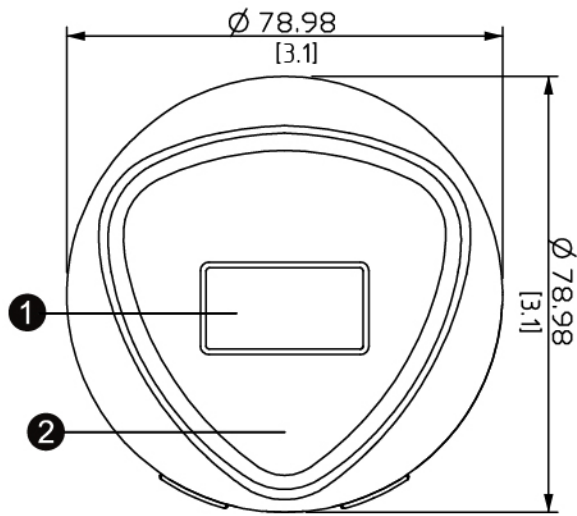


LCD Auto-Switch Display



Power Supply

USB or 5 VDC AC/DC adapter, which is not included in package (Please use Standard USB power)



- 1 LCD Display
- 2 LED Light
- 3 Select Key
- 4 Micro SD
- 5 Mode Key
- 6 Ventilation Slots
- 7 Temperature / Humidity Sensors (option)
- 8 Magnet Base
- 9 Magnet Base Cover

mm
[Inch]



3-Color LED Light		
Normal IAQ: <800 ppm Wide Range: <800 ppm	Normal IAQ: 800~1,400 ppm Wide Range: 800~3,000 ppm	Normal IAQ: >1,400 ppm Wide Range: >3,000 ppm

■ **Specifications** (Specifications are subject to change without notice)

Measurement Method	Dual Beam NDIR
LCD Display	CO ₂ , Temp., RH
Sample Method	Diffusion

CO ₂ Specification	
Measurement Range	0-9,999 ppm
Accuracy	0~3,000ppm: ±100ppm or ±7% of reading, whichever is greater; over 3000ppm: ±10%
Display Resolution	1 ppm
Warm-Up Time	10 seconds
Response Time	About 1min

Temperature Specification	
Temperature Range	0-50°C (32~122° F)
Accuracy	±1°C (±2°F)
Display Resolution	0.1°C (0.1°F)

RH Specification	
Measurement Range	0%~99% RH
Accuracy	±3% @25°C (20% RH-80% RH), other ±5%
Display Resolution	1% RH

Operating Conditions	
Operating Temperature	0°C~50°C (32°F~122°F)
Humidity Range	0~95% RH non-condensing 0%~99%

Storage Conditions	
Storage Temperature	-20°C~60°C (-4°F~140°F)

Power Supply	
Power Supply	USB or 5 VDC from external AC/DC adapter which is not included in package (Please use a standard USB power supply)

DC Output Voltage	5VDC / ≥300mA
--------------------------	---------------

Weight & Dimension	
Weight	110g
Dimensions	3.1 inches*3.1 inches *2.2 inches (79mm*79mm*55.8mm)