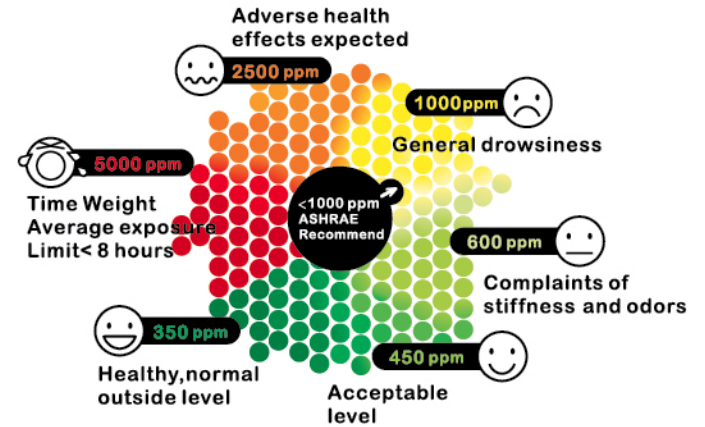


Monitor CO2 to Ensure Indoor Air Quality



- < 800ppm
- 800~1200ppm
- > 1200ppm



ZG1583RUD is smart, compact and easy-to-use. In addition to measuring the CO2 concentration, they can also measure the ambient temperature and the relative humidity (CO2+Temp.+RH). These products are developed to detect the presence of CO2 in ambient air and help people to take care of Indoor air Quality.

- Dual Beam NDIR technology improve the long term stability
- Measure CO2, Temperature and Relative Humidity
- 3 LED display shows the current Indoor Air Quality
- Press "MUTE" for alarm on/off
- Built in the LCD Backlight for easy reading in the dark
- Datalog Function: Connect to PC \ Micro SD Card



Office



School

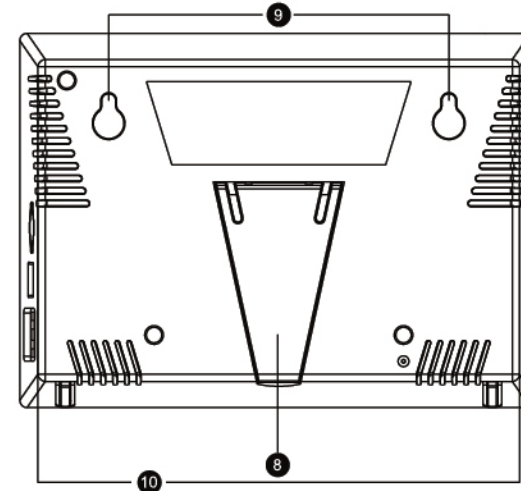
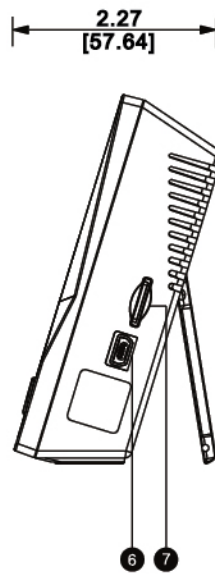
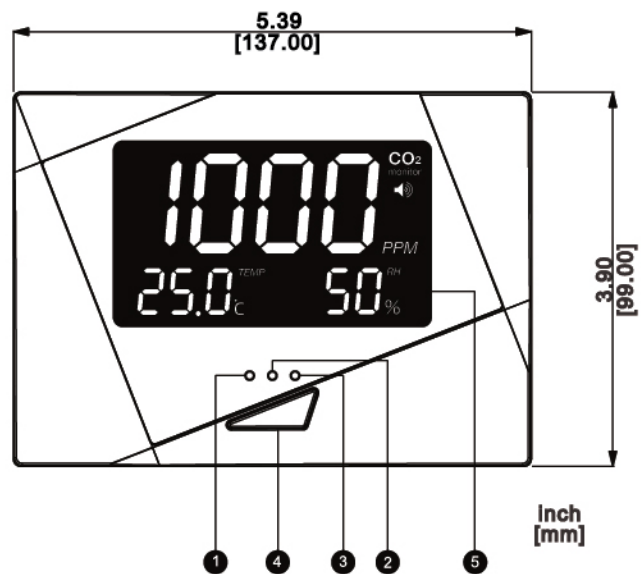


Fitness center



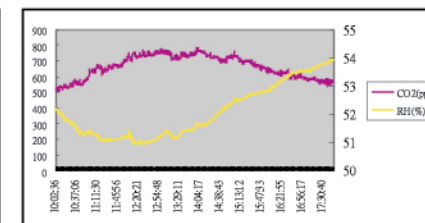
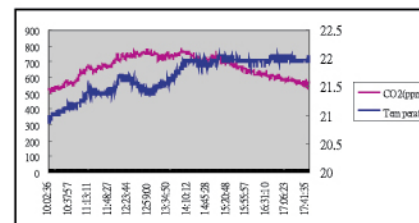
Power Supply
USB or 5 VDC from external AC/DC adapter

ZyAura
Monitor the invisible



Connect to PC with data log function

1 Green LED Display(<800ppm)	6 Power Inlet
2 Yellow LED Display(800-1200ppm)	7 Micro SD Card
3 Red LED Display(>1200ppm & buzzer alarm)	8 Housing Stand
4 Mute Button	9 Screw Position
5 LCD	10 Ventilation Slots



Please download ZyAura USB HUB PC software from http://www.zyaura.com/support/support_software.htm

Specifications

(Specifications are subject to change without notice)

Method - Dual Beam NDIR

Display -
LCD Independent CO₂, RH and Temperature readings

Sample Method -
Diffusion or flow through (50~200 ml/min)

Performance - CO₂ Channel

Measurement Range 0~3000ppm

Resolution
1ppm at 0~1, 000 ppm
5ppm at 1,001~2, 000ppm
10ppm at 2,001~3, 000ppm

Accuracy
Under 25°C: ±80 ppm or ±5% of reading (≤2000ppm);
±7% reading (>2000ppm)

Repeatability ±20 ppm @ 400ppm

Temperature Dependence
Typ. ±0.2% of reading per °C or ±2 ppm per °C, whichever is greater, referenced to 25°C

Response Time About 2min for 63% of step change

Warm-Up Time 1 min. at 22°C

Performance - Temperature Channel

Temperature Range Display 0 to 50°C (32 to 122°F)

Display Resolution 0.1°C(0.1°F)

Display Options °C(°F)

Response Time 20~30 minutes
(case must equilibrate with environment)

RH Specification

Measurement Range 20%~90% RH

Display Resolution 1%RH

Accuracy ±5% RH@23°C

Response Time < 5mins for 63% of step change

Power Supply

Power supply USB or 5 VDC from external AC/DC adapter which is included in package (Use specified AC adapter only)

DC Output voltage 5 VDC, 1000A

AC Input voltage & Frequency 100 ~ 240 VAC, 0.2A 50/60 Hz

Communication Interface

Version USB 2.0 low speed function

OS Windows XP, Window7

Datalog Function: Connect to PC \ Micro SD Card